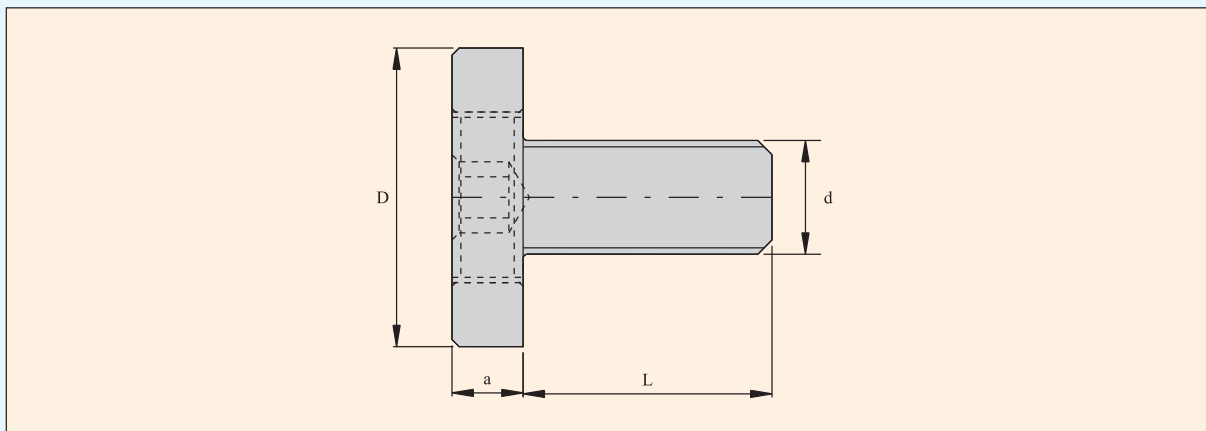
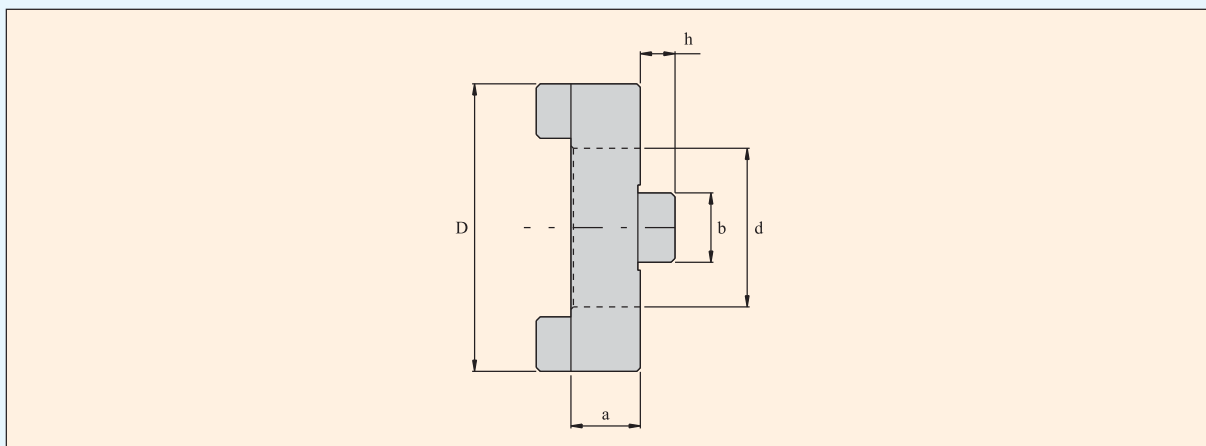


CLAMPING SCREWS FOR CSMA



Clamping Screw	'd'	'D'	'a'	'L'
CSMA16	M 8	20	7.0	25
CSMA22	M10	28	8.0	25
CSMA27	M12	35	9.0	35
CSMA32	M16	42	10.0	35
CSMA40	M20	52	11.0	40

DRIVER RINGS



Driver Ring	'd'	'D'	'a'	'b'	'h'
16	16	32	10	8	5.0
22	22	40	12	10	5.6
27	27	48	12	12	6.3
32	32	58	14	14	7.0
40	40	78	14	16	8.0