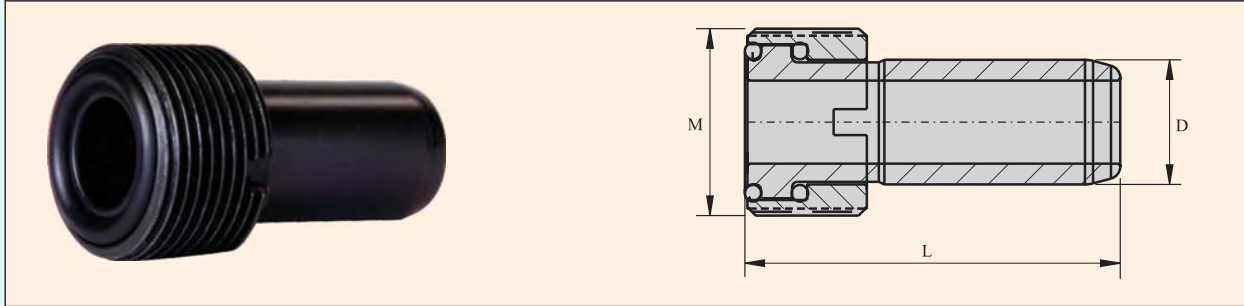


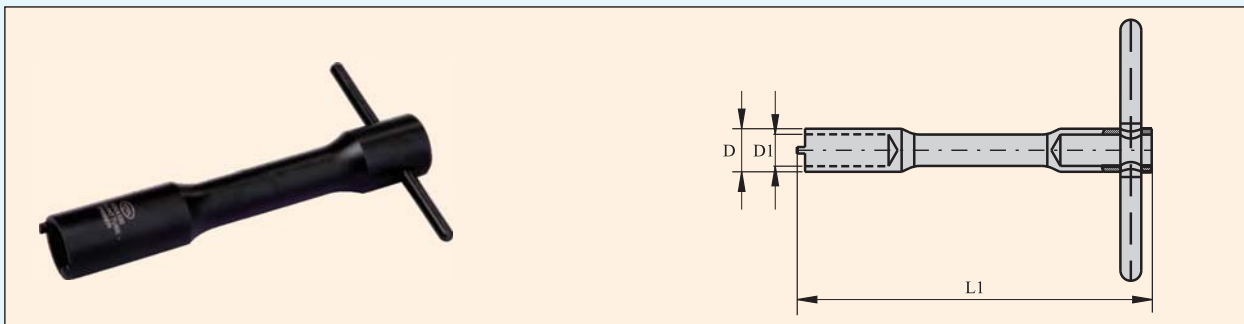
COOLANT TUBE FOR HSK HOLDERS



HSK TYPE	M	L	D
HSK-A 50 CT	M16X1	33.0	10.0
HSK-A 63 CT	M18X1	34.0	12.0
HSK-A 100 CT	M24X1.5	44.0	16.0

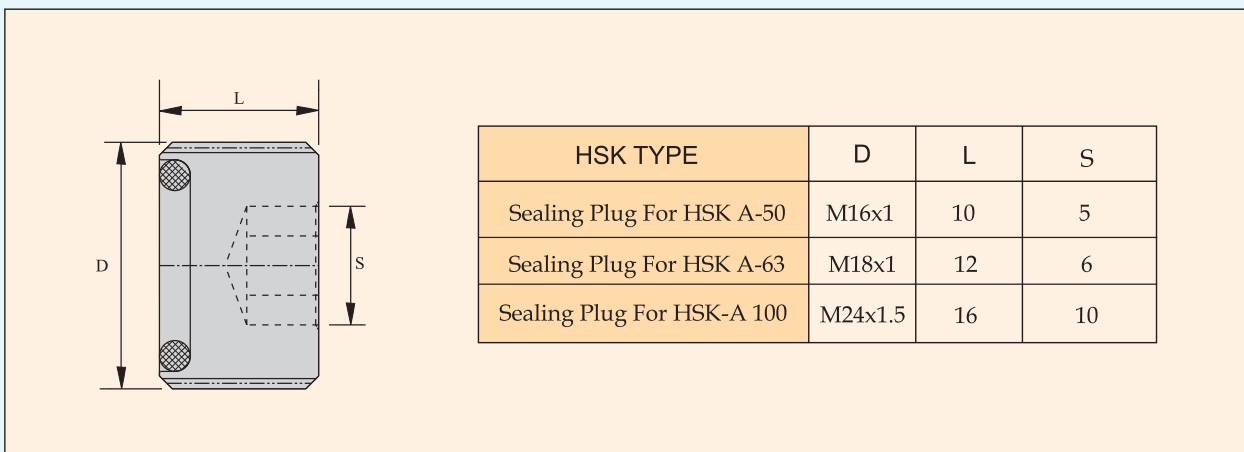
Ordering Example :-HSK-A 63 COOLANT TUBE = 2 Nos.

SPANNER FOR HSK COOLANT TUBES



HSK TYPE	D1	L1	D
HSK-A 50 CTS	10.2	115	14.5
HSK-A 63 CTS	12.2	136	16.5
HSK-A 100 CTS	16.2	136	22.0

SEALING PLUG



HSK TYPE	D	L	S
Sealing Plug For HSK A-50	M16x1	10	5
Sealing Plug For HSK A-63	M18x1	12	6
Sealing Plug For HSK-A 100	M24x1.5	16	10