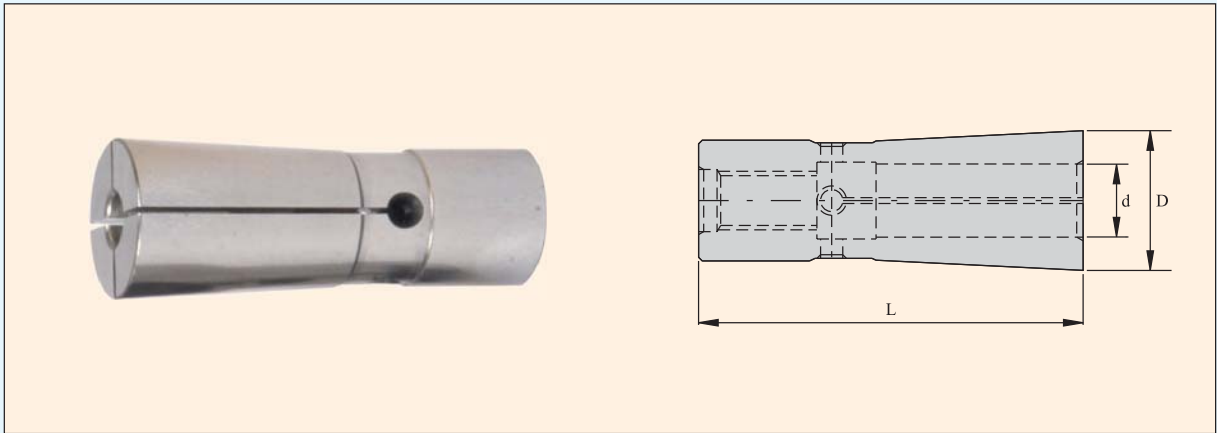


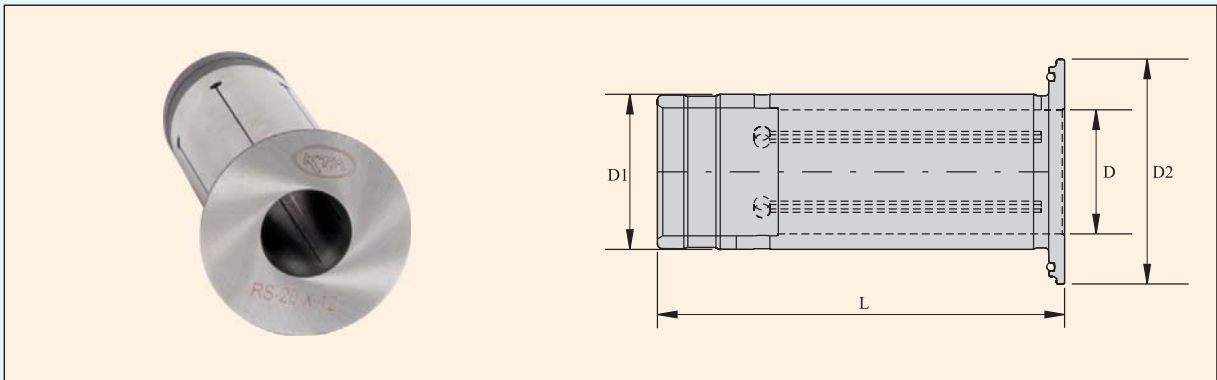
DMC COLLET



Collet Description	'd'	'L' mm	'D' mm
DMC 06..	2, 3, 4, 5, 6	36	9.60
DMC 08..	3, 4, 6, 8	45	15.00
DMC 10..	3, 4, 6, 8, 10	52	19.10

Ordering Example: Collet DMC 0603= 2Nos.

REDUCTION SLEEVE (RS) FOR HYDRAULIC CHUCK



ARTICAL NO.	D	D1	D2	L
RS20X03	3	20	29	52.5
RS20X04	4	20	29	52.5
RS20X05	5	20	29	52.5
RS20X06	6	20	29	52.5
RS20X07	7	20	29	52.5
RS20X08	8	20	29	52.5
RS20X09	9	20	29	52.5
RS20X10	10	20	29	52.5
RS20X11	11	20	29	52.5
RS20X12	12	20	29	52.5
RS20X13	13	20	29	52.5
RS20X14	14	20	29	52.5
RS20X15	15	20	29	52.5
RS20X16	16	20	29	52.5

Ordering Example :-RS20X12 = 2 Nos.