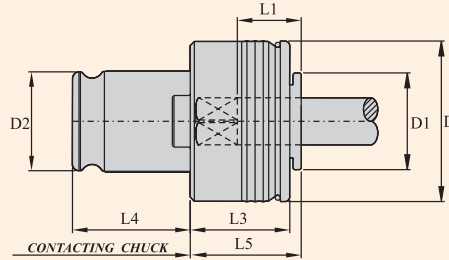


TYPE KWES SIZE : 0, 1, 2, 3 & 4

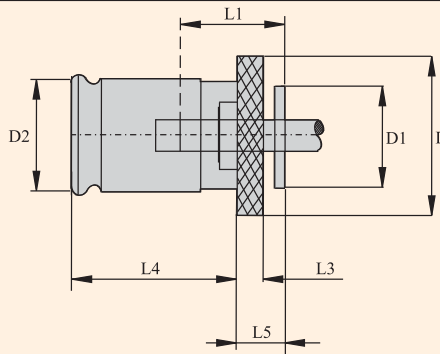
Quick Change Tapping Chuck Type KWES/B



Ordering Example : TAP ADAPTOR : KWES/1B M8 θ 10X8sq. = 2Nos.

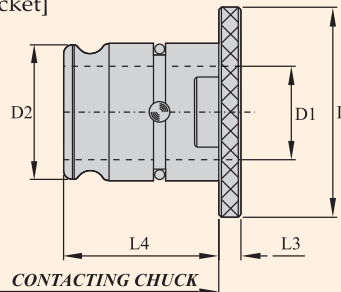
Chuck Designation Size	For Taps		Suitable for Chuck Size	D dia.	D1 dia.	D2 dia.	I1	I3	I4	I5	approx. Weight kgs.
	Thread dia.	Shank dia.									
WES 0B	M1 - M10	2.5 - 7.2	0	23	13	13	15	20	19.5	21	0.060
WES 1B	M3 - M12	3.5 - 11.3	1	32	19	19	17	25	21.5	25	0.150
WES 2B	M8 - M20	7.0 - 18.0	2	50	30	31	30	31	35.0	34	0.550
WES 3B	M14 - M33	11.0 - 28.0	3	72	48	48	44	41	55.5	45	1.700
WES 4B	M22 - M48	18.0 - 36.0	4	95	60	60	71	61	63.0	68	3.300

TAP ADAPTOR (WITHOUT SAFETY CLUTCH) TYPE - KWE 1



Adaptor Designation Size	For Taps		Suitable for Chuck Size	D Dia.	D1 Dia.	D2 Dia.	L1	L2	L3	L4	Approx. Weight kgs.
	Thread Dia.	Shank Dia.									
KWE 1	M3 - M12	3.5 - 11.3	QSFL 3-12	30	19	19	17	4	21.5	7	0.060
KWE 2	M8 - M20	7 - 18	QSFL 8-20	48	30	31	30	5	35	11	0.250

Quick Change Tapping Chuck Type KWRE[Reduction Socket]



Ordering Example : REDUCER : KWRE 2/1/ = 2Nos.

Chuck Designation Size	Suitable For Chuck Size	Adaptor Size	D dia.	D1 dia.	D2 dia.	L3	L4
KWRE2/1	2	1	48	19	31	5	35.0
KWRE3/1	3	1	70	19	48	6	55.5
KWRE3/2	3	2	70	31	48	6	55.5
KWRE4/2	4	2	92	31	60	13	60.0
KWRE4/3	4	3	92	48	60	13	60.0