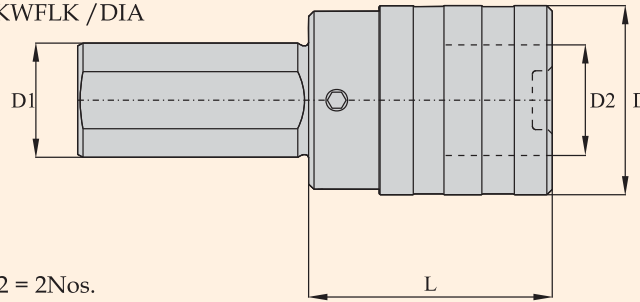


**TYPE KWFLK SIZE : 1, 2, 3 & 4**

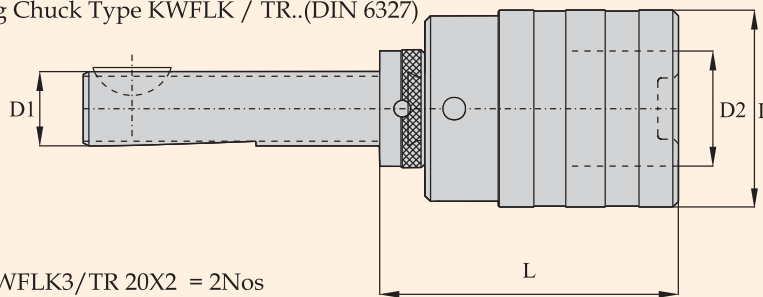
Quick Change Tapping Chuck Type KWFLK / DIA



Ordering Example : KWFLK2/DIA 32 = 2Nos.

| Chuck Designation Size | For Taps Size | Suitable Adaptors | Length Comp. |        | D dia. | D1 dia.  | D2 dia. | L   |
|------------------------|---------------|-------------------|--------------|--------|--------|----------|---------|-----|
|                        |               |                   | Compr.       | Expan. |        |          |         |     |
| KWFLK1/DIA             | M3 - M12      | KWES1B            | 7.50         | 7.50   | 36     | 20/25/32 | 19      | 40  |
| KWFLK2/DIA             | M8 - M20      | KWES2B            | 12.50        | 12.50  | 53     | 25/32/40 | 31      | 63  |
| KWFLK3/DIA             | M14 - M33     | KWES3B            | 20.00        | 20.00  | 78     | 32/40    | 48      | 125 |
| KWFLK4/DIA             | M22 - M48     | KWES4B            | 22.50        | 22.50  | 96     | 40/50    | 60      | 126 |

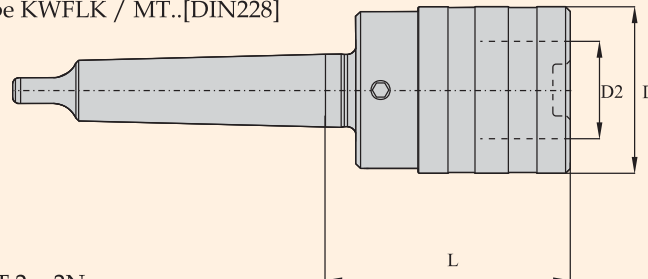
Quick Change Tapping Chuck Type KWFLK / TR..(DIN 6327)



Ordering Example : KWFLK3/TR 20X2 = 2Nos

| Chuck Designation Size | For Taps Size | Suitable Adaptors | Length Comp. |        | D dia. | D2 dia. | TR 16X1.5 L | TR 20X2 L | TR 28X2 L | TR 36X2 L | TR 48X2 L |
|------------------------|---------------|-------------------|--------------|--------|--------|---------|-------------|-----------|-----------|-----------|-----------|
|                        |               |                   | Compr.       | Expan. |        |         |             |           |           |           |           |
| KWFLK1/TR              | M3 - M12      | KWES1B            | 7.50         | 7.50   | 36     | 19      | 52          | 52        | 52        | -         | -         |
| KWFLK2/TR              | M8 - M20      | KWES2B            | 12.50        | 12.50  | 53     | 31      | -           | -         | 76        | 78        | -         |
| KWFLK3/TR              | M14 - M33     | KWES3B            | 20.00        | 20.00  | 78     | 48      | -           | -         | 109       | 111       | 115       |
| KWFLK4/TR              | M22 - M48     | KWES4B            | 22.50        | 22.50  | 96     | 60      | -           | -         | -         | 122       | 126       |

Quick Change Tapping Chuck Type KWFLK / MT..[DIN228]



Ordering Example : KWFLK3 / MT 2 = 2Nos.

| Chuck Designation Size | For Taps Size | Suitable Adaptors | Length Comp. |        | D dia. | D2 dia. | MT 2 L | MT 3 L | MT 4 L | MT 5 L |
|------------------------|---------------|-------------------|--------------|--------|--------|---------|--------|--------|--------|--------|
|                        |               |                   | Compr.       | Expan. |        |         |        |        |        |        |
| KWFLK1/MT              | M3 - M12      | KWES1B            | 7.50         | 7.50   | 36     | 19      | 47     | 47     | -      | -      |
| KWFLK2/MT              | M8 - M20      | KWES2B            | 12.50        | 12.50  | 53     | 31      | -      | 71     | 72     | -      |
| KWFLK3/MT              | M14 - M33     | KWES3B            | 20.00        | 20.00  | 78     | 48      | -      | -      | 105    | 105.5  |
| KWFLK4/MT              | M22 - M48     | KWES4B            | 22.50        | 22.50  | 96     | 60      | -      | -      | -      | 117    |