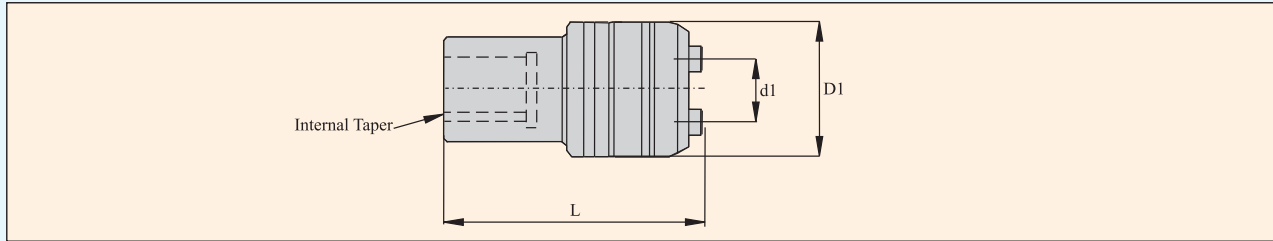
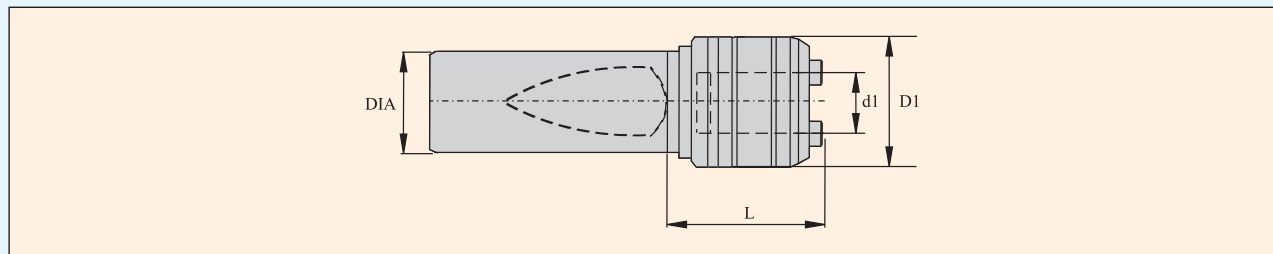


Q SHORT INTERNAL TAPER B12, B16, J, J2a, J6



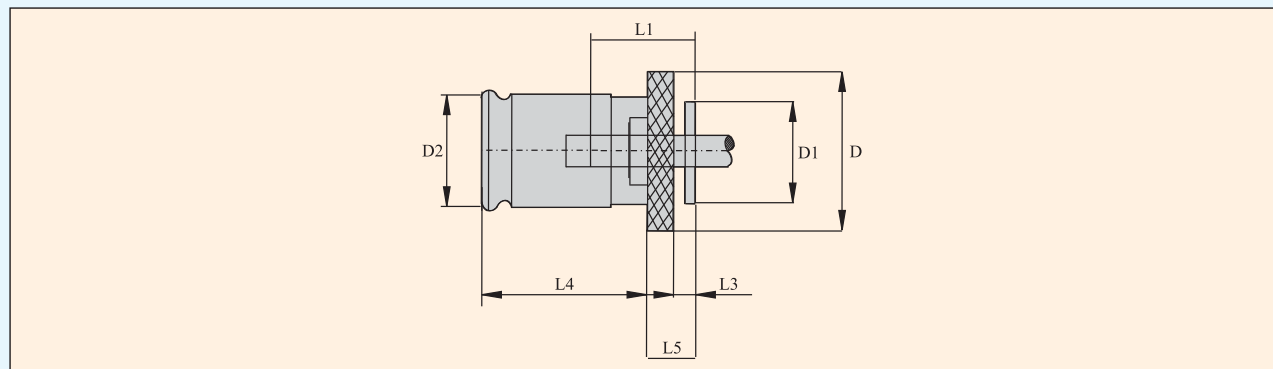
Chuck Designaton		Capacity	Suitable Adaptors Size	D1	d1	B 12	B 16	J1	J6	J2a
Size	Location.					L	L	L	L	L
Q 3-12	Internal Taper	M3 - M12	KWE 1	32	19	59	65	59	65	59
Q 8-20	Internal Taper	M8 - M20	KWE 2	50	31	-	84	-	84	-

Q WELDON



Chuck Designaton		Capacity	Suitable Adaptors Size	D1	d1	Dia 3/4"	Dia 1"	Dia 25mm	32mm
Size	Location.					L	L	L	L
Q 3-12	Dia...	M3 - M12	KWE 1	32	19	44	44	44	44
Q 8-20	Dia...	M8 - M20	KWE 2	50	31	-	61	61	61

TAP ADAPTOR (WITHOUT SAFETY CLUTCH) TYPE - KWE 1



Adaptor Designaton Size	For Taps		Suitable for Chuck Size	D Dia.	D1 Dia.	D2 Dia.	L1	L2	L3	L4	Approx. Weight kgs.
	Thread Dia.	Shank Dia.									
KWE 1	M3 - M12	3.5 - 11.3	QSFL 3-12	30	19	19	17	4	21.5	7	0.060
KWE 2	M8 - M20	7 - 18	QSFL 8-20	48	30	31	30	5	35	11	0.250